

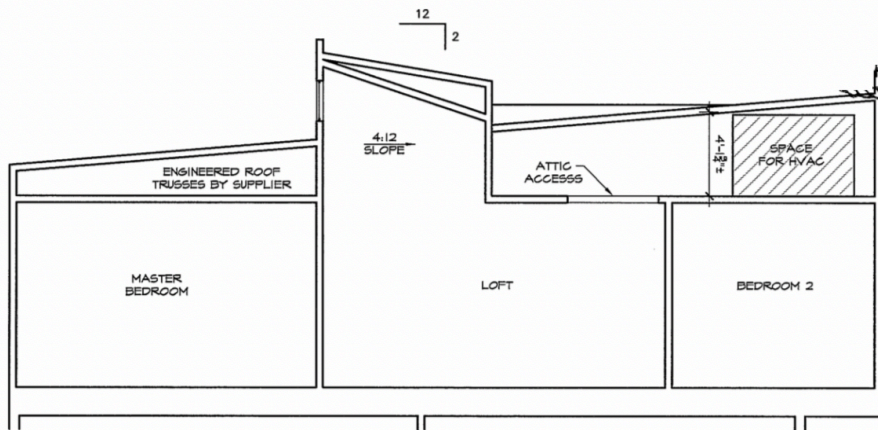


TRUE NORTH
HOMES

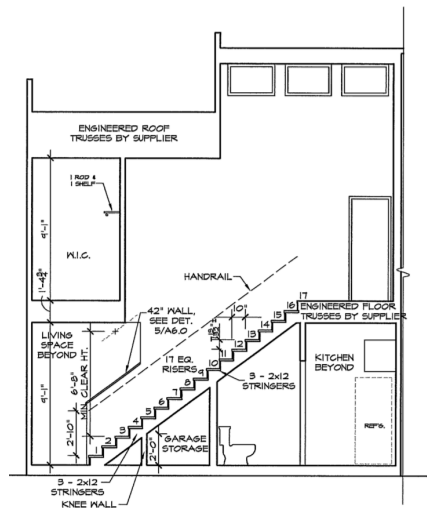
SKYLINE ON BERKMAN

Central Austin Living

Lightwell Design Concept



CROSS SECTION C-C (LIGHT WELL SECTION)



CROSS SECTION A-A (UNIT 1441)
Scale: 1/4" = 1'-0"



Prices, plans and terms are effective on the date of publication and are subject to change without notice. Square footage is approximate per architectural plan and actual square footage might vary. Buyer should do his/her own evaluation of usable space available. Features and selections vary and may or may not be included in the purchase price. Plans to build out this neighborhood as proposed are subject to change without notice. RTO 180806

Skyline on Berkman - a True North Homes Development
6409 Berkman Drive, Austin, TX 78723 - (512) 919-2975 - info@mytruenorthhomes.com